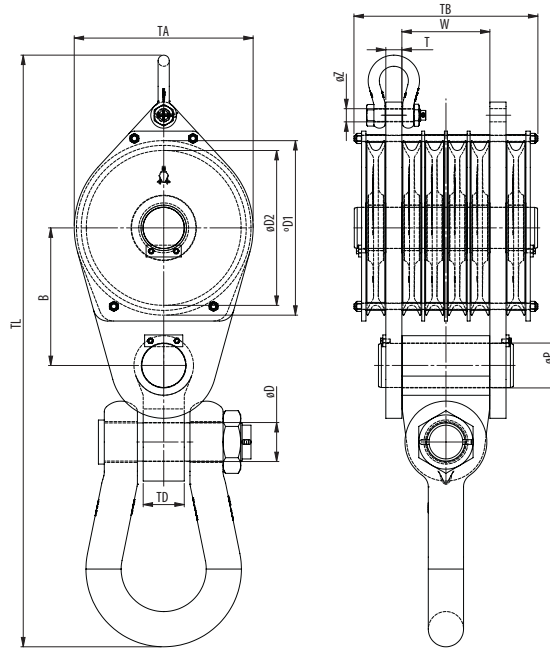
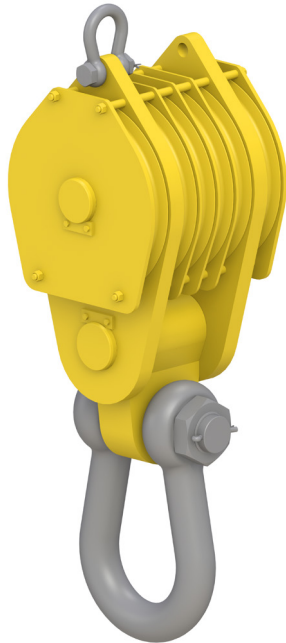


CONSTRUCTION BLOCK WITH SHACKLE

6 SHEAVES



Model No.	WLL (Mtons)	For wire ød (mm)	Dimensions (mm)												Weight (mm)
			øD1	øD2	B	øD	øP	TD	øZ	T	TA	TB	TL	W	
CB 260.16.6.55	55	13-16	300	260	271	73	80	80	28	30	310	425	1108	198	218
CB 320.19.6.82	82	16-19	365	320	317	86	100	110	31	35	375	435	1313	198	344
CB 355.22.6.110	110	19-22	410	355	359	98	130	120	41	45	420	551	1582	266	551
CB 400.26.6.132	132	19-26	460	400	388	98	130	120	41	45	470	559	1642	266	668
CB 450.28.6.160	160	22-28	515	450	429	111	150	140	45	55	530	627	1788	300	974
CB 528.32.6.191	191	22-32	595	528	469	133	150	140	45	55	610	627	2017	300	1266
CB 575.36.6.220	220	26-36	650	575	514	133	170	140	53	60	670	724	2160	352	1617
CB 630.38.6.240	240	26-38	710	630	544	143	170	150	53	60	730	724	2286	352	1740

Minimum Ultimate Strength = 4 x WLL

- Standard delivered with bronze bearing
- The dimensions in this table are indicative only. A drawing will always be submitted prior production and will be the leading document when discussing dimensions.
- Blocks shown here are standard models; inquiries for custom versions are welcome.
- Refer to wire rope manufacturers D/d ratio guideline.



SEE OUR WARNING & SAFETY INFORMATION

